

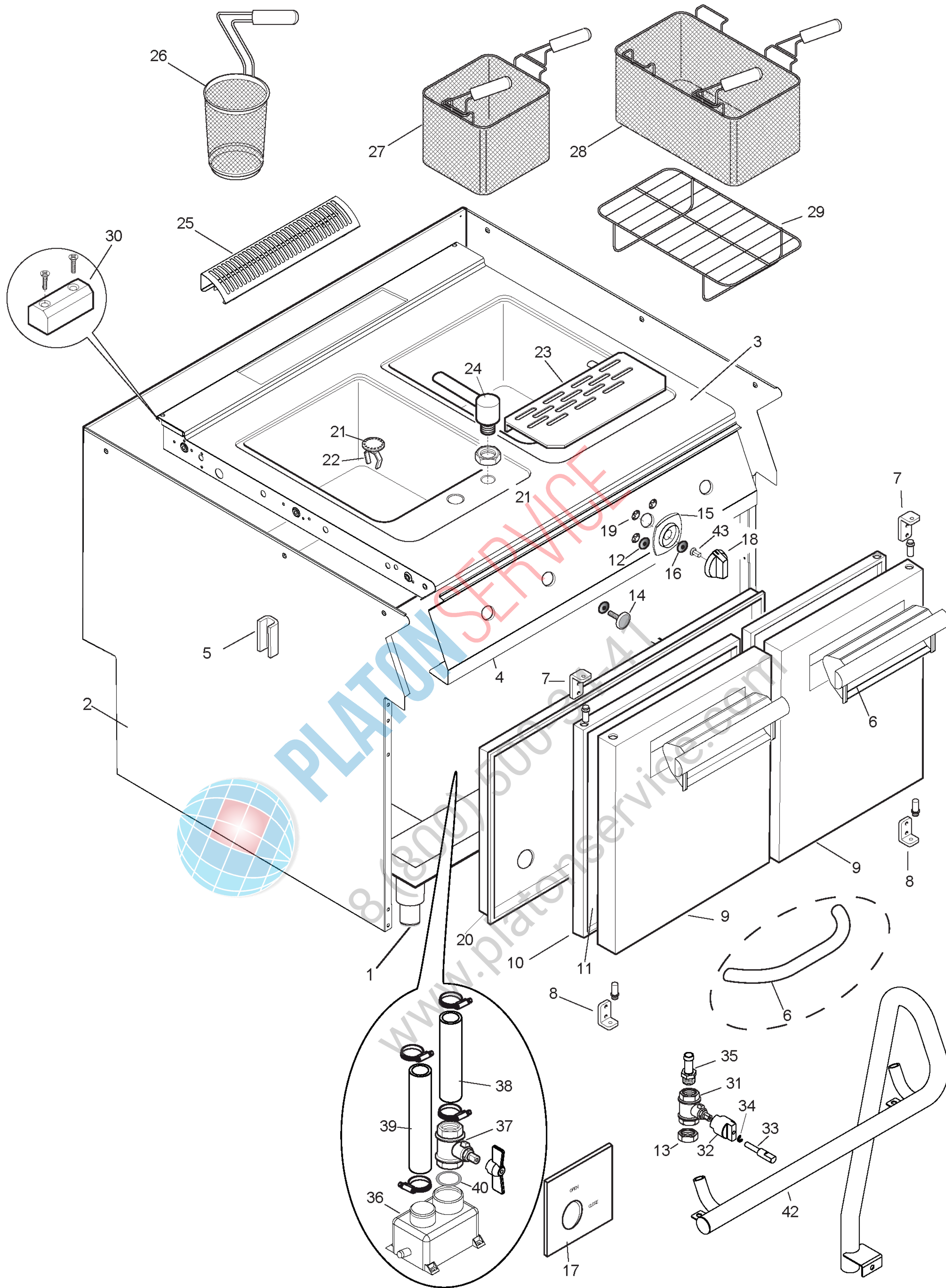
PNC	Model	Ref	Pag.	Brand	Version	Notes
391111	E9PCGD1MF0	a		ELX	GAS	1X40 LT WELL
391112	E9PCGH2MF0	b		ELX	GAS	2X40 LT WELLS
391126	E9PCED1MF0	c		ELX	EL	1X40 LT WELL
391127	E9PCEH2MF0	d		ELX	EL	2X40 LT WELLS
392126	Z9PCED1MF0	i		ZAN	EL	1X40 LT WELL
392127	Z9PCEH2MF0	l		ZAN	EL	2X40 LT WELLS
392111	Z9PCGD1MF0	m		ZAN	GAS	1X40 LT WELL
392112	Z9PCGH2MF0	n		ZAN	GAS	2X40 LT WELLS
393126	A9PCED1MF0	o		OEM	EL	1X40 LT WELL
393127	A9PCEH2MF0	p		OEM	EL	2X40 LT WELLS
393111	A9PCGD1MF0	q		OEM	GAS	1X40 LT WELL
393112	A9PCGH2MF0	r		OEM	GAS	2X40 LT WELLS

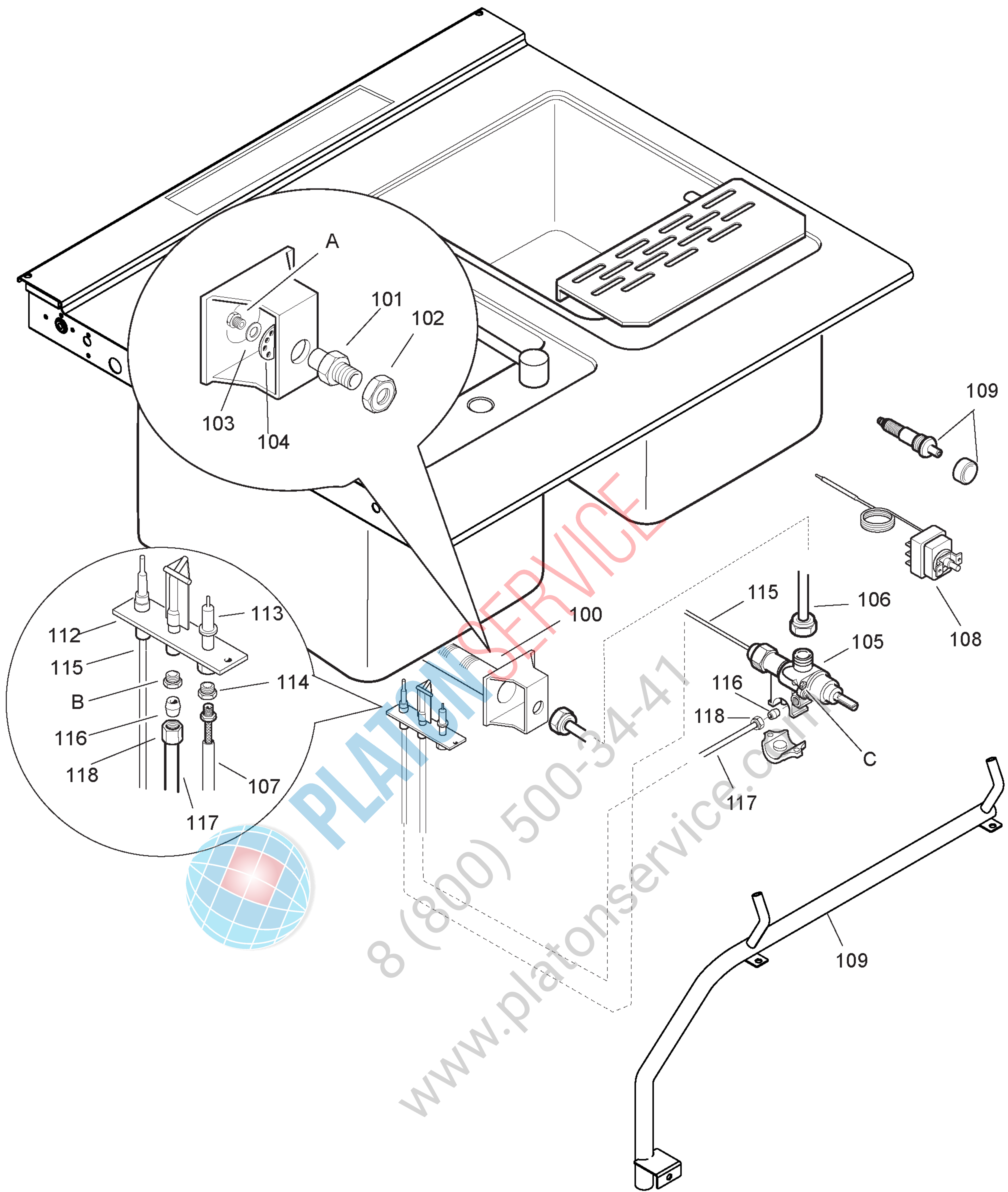


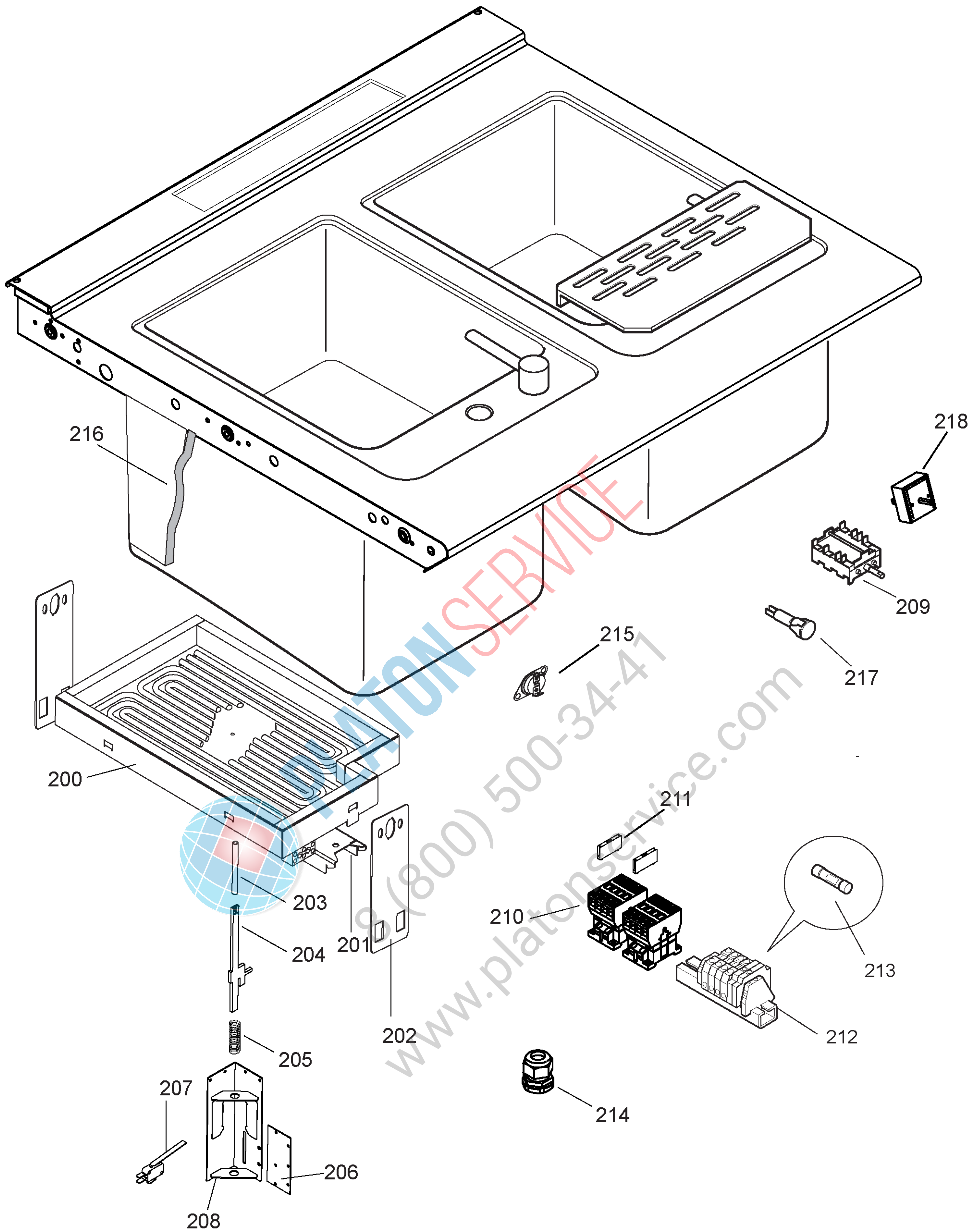
PLATON SERVICE  
8 (800) 500-34-41  
www.platonservice.com

Pag	Index	Indice	Note
2	General componets	Componenti struttura	
3	Gas components	Componenti Gas	
4	Electric Components	Componenti elettrici	
5,6,7,8	Spare parts list	Lista ricambi	

Brand/Marchio: All  
Factory code: 9PDX



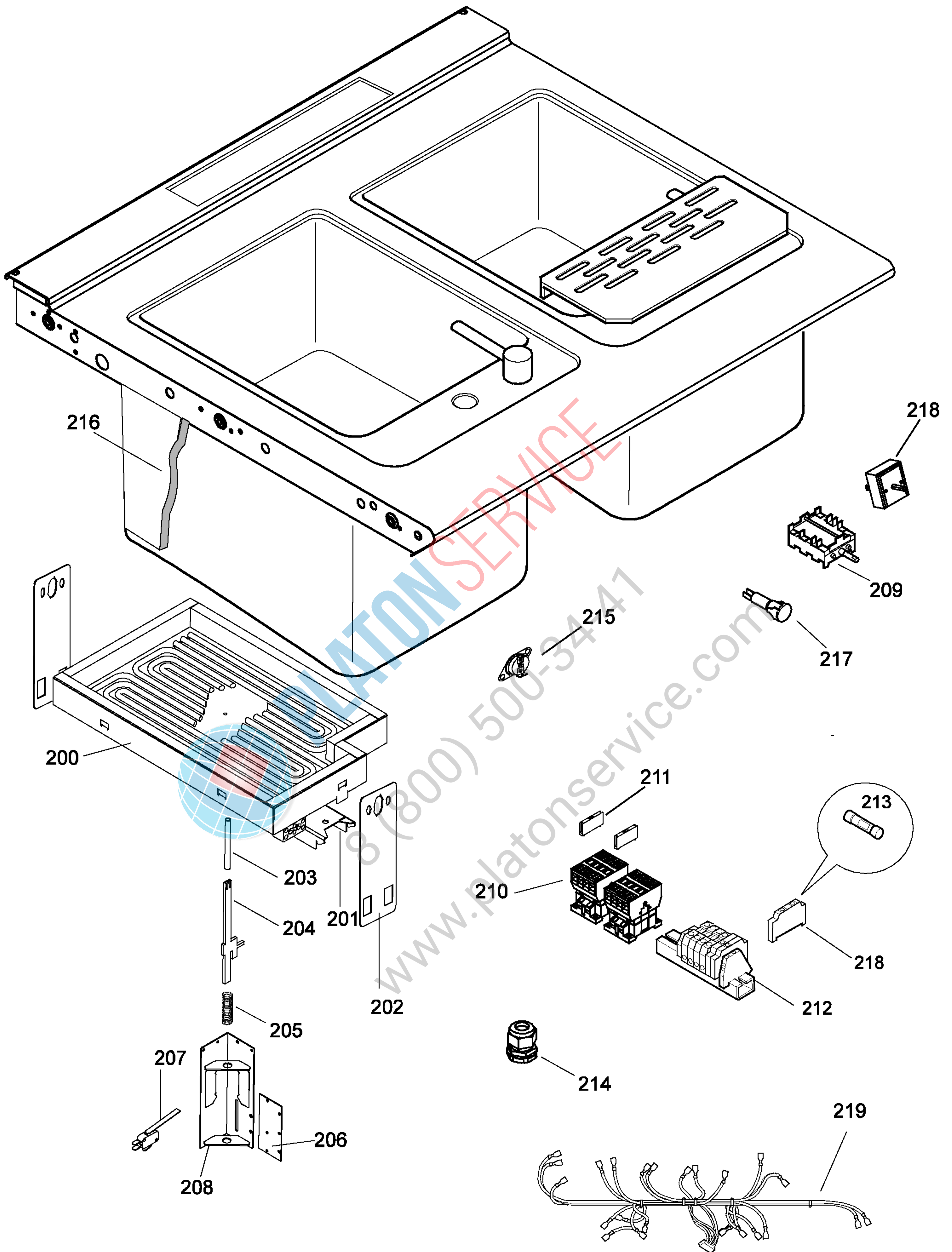




A - Ugello bruciatore / Burner nozzle				
Code	6DGT Code	Reference		
0514831200	005934	ø3.00	2H/2E+	G20 20mbar
0516844100	006419	ø2.90	2H	G20 25mbar
0516844400	-	ø3.45	2ELL	G25 20mbar
0514869900	058245	ø3.25	2L	G25 25mbar
0514899200	005934	ø2.05	3+3B/P	G30 30mbar
0516821700	003514	ø1.95	3B/P	G30 37mbar
0514833600	054631	ø1.80	3B/P	G30 50mbar
0514869900	058245	ø3.25	2S	G25.1 25mbar

B - Ugello Pilota / Burner nozzle				
Code	6DGT Code	Reference		
0514831500	054037	n° 25	2H/2E+	G20 20mbar
0514831500	054037	n° 25	2H	G20 25mbar
0514831500	054037	n° 25	2ELL	G25 20mbar
0514831500	054037	n° 25	2L	G25 25mbar
0514833900	054286	n° 24	3+3B/P	G30 30mbar
0514833900	054286	n° 24	3B/P	G30 37mbar
0514833900	054286	n° 24	3B/P	G30 50mbar
0514831500	054037	n° 25	2S	G25.1 25mbar

C - Vite Minimo / Min Screw				
Code	6DGT Code	Reference		
0835837000	002993	ø1.80	2H/2E+	G20 20mbar
0835837000	002993	ø1.80	2H	G20 25mbar
0835837000	002993	ø1.80	2ELL	G25 20mbar
0835837000	002993	ø1.80	2L	G25 25mbar
0835820700	056742	ø1.10	3+3B/P	G30 30mbar
0835802000	002392	ø0.95	3B/P	G30 37mbar
0835802000	002392	ø0.95	3B/P	G30 50mbar
0835837000	002993	ø1.80	2S	G25.1 25mbar



Actual wire harness may be different from illustration.  
 Il cablaggio elettrico puo' essere diverso dall'illustrazione

A - Ugello bruciatore / Burner nozzle				
Code	Spare Code	Reference		Ref / PNC
514831200	005934	ø3.00	2H/2E+ G20	20mbar
516844100	006419	ø2.90	2H G20	25mbar
516844400	-	ø3.45	2ELL G25	20mbar
514869900	058245	ø3.25	2L G25	25mbar
514899200	005934	ø2.05	3+3B/P G30	30mbar
516821700	003514	ø1.95	3B/P G30	37mbar
514833600	054631	ø1.80	3B/P G30	50mbar
514869900	058245	ø3.25	2S G25.1	25mbar
<b>514848900</b>	<b>055018</b>	<b>Ø2.20</b>	<b>Propane</b>	<b>KOREA market</b>
<b>516844100</b>	<b>006419</b>	<b>Ø2.90</b>	<b>Methane</b>	<b>KOREA market</b>

B - Ugello Pilota / Burner nozzle				
Code	Spare Code	Reference		Ref / PNC
514831500	054037	n° 25	2H/2E+ G20	20mbar
514831500	054037	n° 25	2H G20	25mbar
514831500	054037	n° 25	2ELL G25	20mbar
514831500	054037	n° 25	2L G25	25mbar
514833900	054286	n° 24	3+3B/P G30	30mbar
514833900	054286	n° 24	3B/P G30	37mbar
514833900	054286	n° 24	3B/P G30	50mbar
514831500	054037	n° 25	2S G25.1	25mbar
<b>514833900</b>	<b>054286</b>		<b>Propane</b>	<b>KOREA market</b>
<b>514831500</b>	<b>054037</b>		<b>Methane</b>	<b>KOREA market</b>



C - Vite Minimo / Min Screw				
Code	Spare Code	Reference		Ref / PNC
0835837000	002993	ø1.80	2H/2E+ G20	20mbar
0835837000	002993	ø1.80	2H G20	25mbar
0835837000	002993	ø1.80	2ELL G25	20mbar
0835837000	002993	ø1.80	2L G25	25mbar
0835820700	056742	ø1.10	3+3B/P G30	30mbar
0835802000	002392	ø0.95	3B/P G30	37mbar
0835802000	002392	ø0.95	3B/P G30	50mbar
0835837000	002993	ø1.80	2S G25.1	25mbar
<b>0835820700</b>	<b>056742</b>	<b>ø1.10</b>	<b>Propane</b>	<b>KOREA market</b>
<b>0835837000</b>	<b>002993</b>	<b>ø1.80</b>	<b>Methane</b>	<b>KOREA market</b>

<i>PNC</i>	<i>Model</i>	<i>Ref.</i>	<i>Page</i>	<i>Note</i>
169123	ACPG25	a	1-7	1WELL GAS PASTACOOK6,5GAL/25L 16"-US-AUS

**PLATON SERVICE**

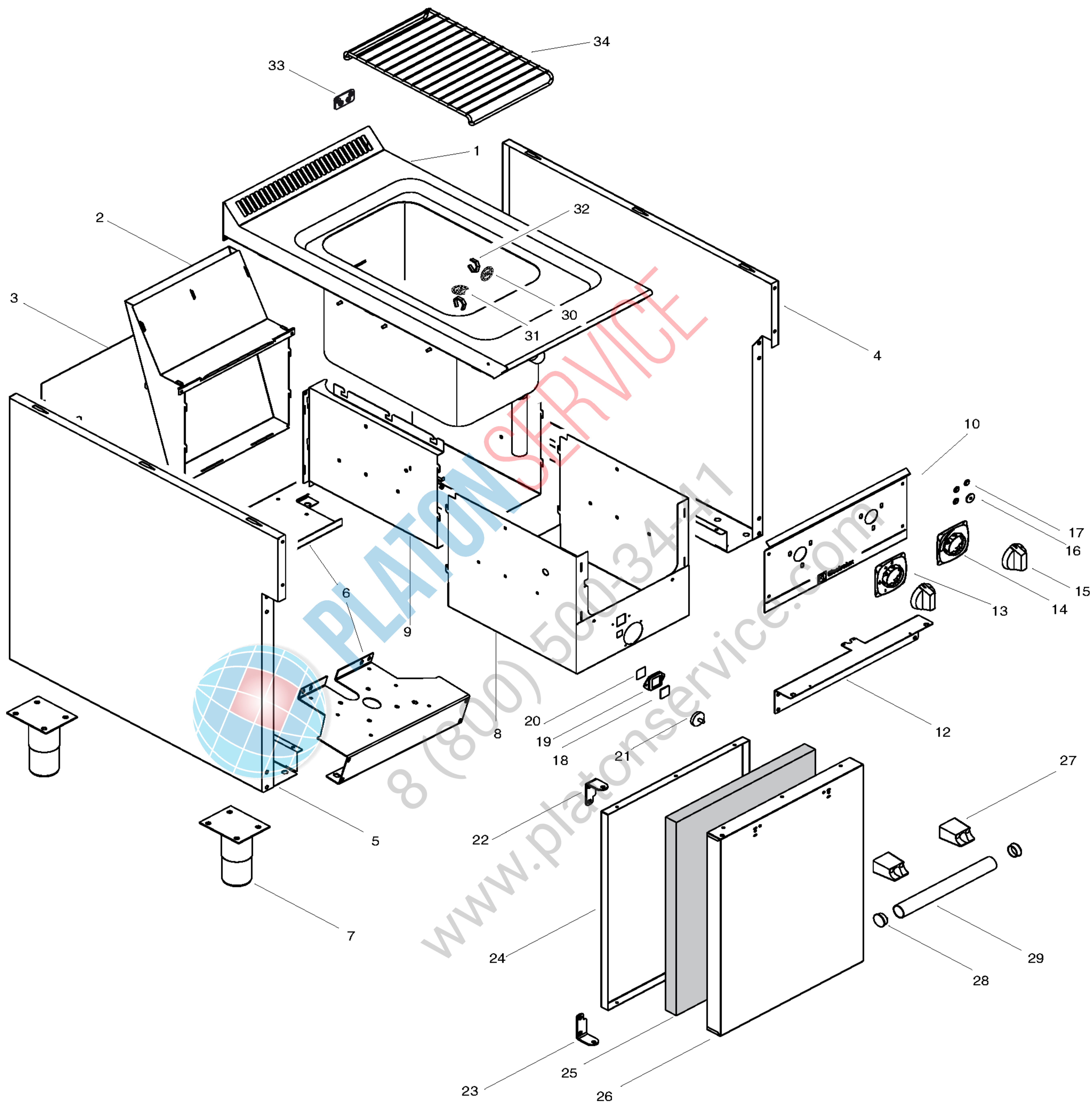
8 (800) 500-34-41

[www.platonservice.com](http://www.platonservice.com)

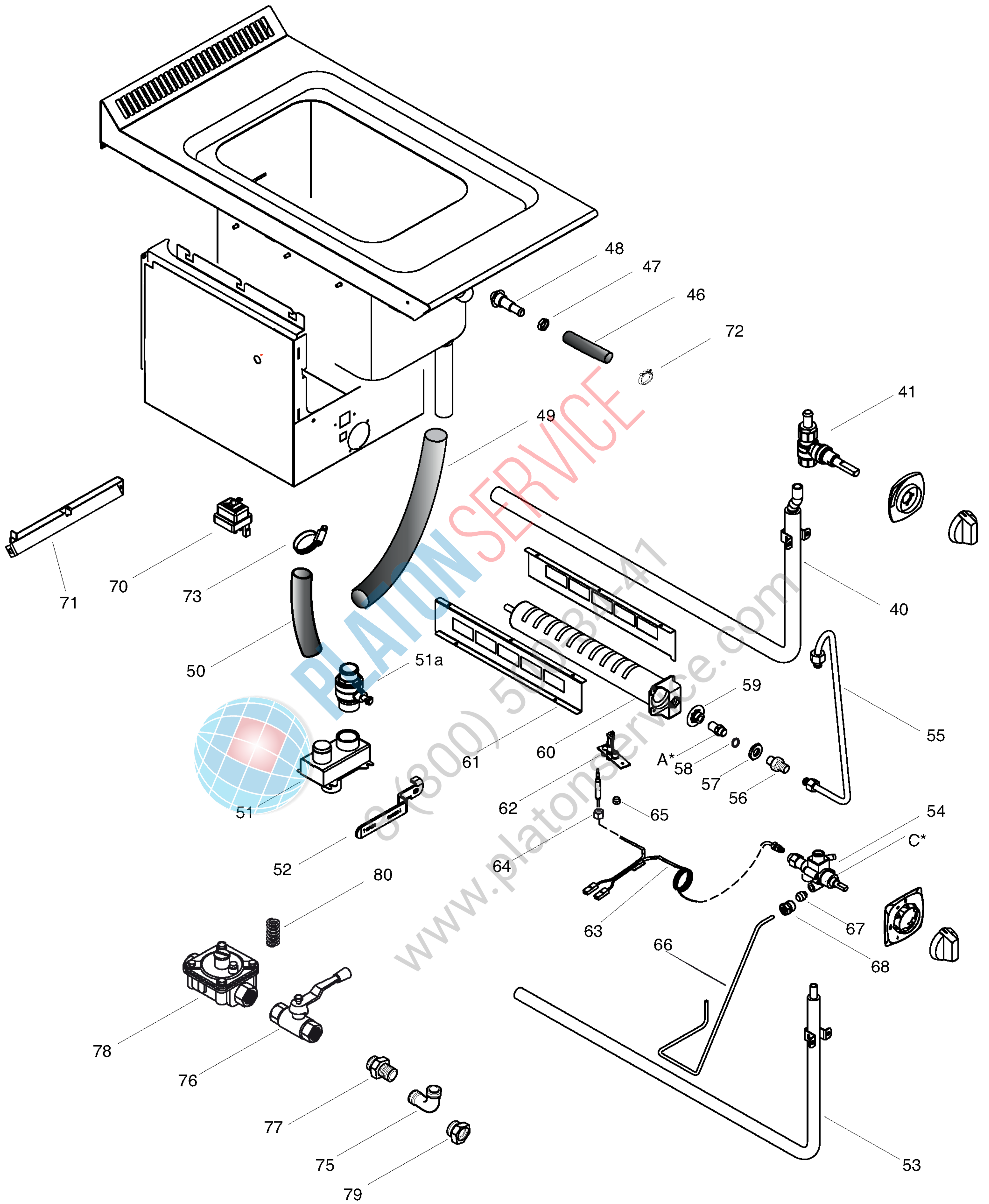
Pag.	<b>Indice</b>	<b>Index</b>
2	Mobile e componenti	Structure and components
3	Impianto gas	Gas components
4-6	Ugelli pilota gas/Lista ricambi	Gas nozzels/Spare parts list

Marchio / Brand: *Electrolux*  
Factory code: *9PDX*





CUOCIPASTA GAS COMPACT  
 GAS PASTACOOKER COMPACT



CUOCIPASTA GAS COMPACT  
 GAS PASTACOOKER COMPACT

A - Ugello bruciatore / Burner nozzle		
Spare Code	Ref. / Notes	Nominal pressure
55388	ø3.30 Natural gas G20	3,2" wc / 7mbar
55459	ø2.15 Propane G31	7" wc / 18mbar

C - Vite di minimo / Minimum screw		
Spare Code	Ref. / Notes	Nominal pressure
2993	ø1.80 Natural gas G20	3,2" wc / 7mbar
56742	ø1.10 Propane G31	7" wc / 18mbar

B - Ugello pilota / Pilot nozzle		
Spare Code	Ref. / Notes	Nominal pressure
0C9891	n°29 Natural gas G20	3,2" wc / 7mbar
54286	n°24 Propane G31	7" wc / 18mbar